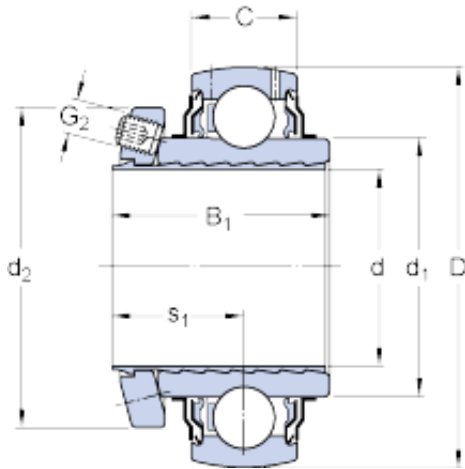




SNR Bearing Argentina



YSP 212-207 SB-2F Bearing 2D drawings and 3D CAD models

skf YSP 212-207 SB-2F Insert bearings (Y-bearings)

Bearing No. YSP 212-207 SB-2F

Size	110x61.912x51.5 mm
Bore Diameter	110 mm
Outer Diameter	61,912 mm
Width	51,5 mm
d	61.912 mm
D	110 mm
B ₁	51.5 mm
C	26 mm
d ₁	75.64 mm
d ₂	87.6 mm
s ₁	30.3 mm
Basic dynamic load rating - C	52.7 kN
Basic static load rating - C ₀	36 kN
Fatigue load limit - P _u	1.5 kN
Limiting speed	3400 r/min
Calculation factor - f ₀	14
Mass bearing	1.2 kg
Thread - G ₂	M6
Hexagonal key size for grub screw - H	3 mm
B ₁	51.7 mm
d ₁	75.64 mm
d ₂	87.6 mm
s ₁	30.5 mm



SNR Bearing Argentina

Basic dynamic load rating C	52.7 kN
Basic static load rating C_0	36 kN
Fatigue load limit P_u	1.53 kN
Limiting speed ¹⁾	3400 r/min
Calculation factor f_0	14
Mass complete bearing	1.2 kg
Thread grub screw G_2	M6
Hexagonal key size for grub screw N	3.05 mm
Recommended tightening torque for grub screw	7.4 N · m