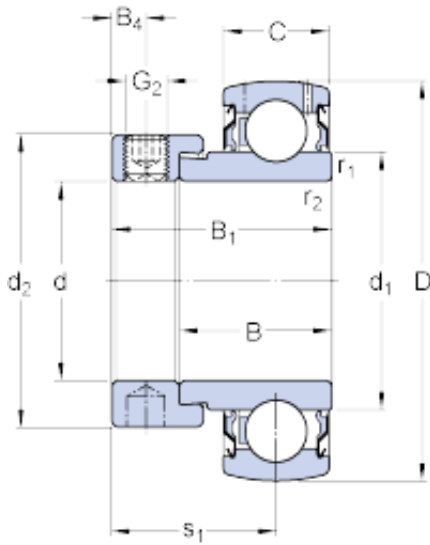




SNR Bearing Argentina



19.05 mm x 47 mm x 21.5 mm skf YET 204-012
Insert bearings (Y-bearings)

Bearing No. YET 204-012

YET 204-012 Bearing 2D drawings and 3D CAD models

Size	47x19.05x31 mm
Bore Diameter	47 mm
Outer Diameter	19,05 mm
Width	31 mm
d	19.05 mm
D	47 mm
B ₁	31 mm
C	14 mm
d ₁	28.2 mm
d ₂	32.4 mm
B	21.5 mm
B ₄	4.75 mm
r _{1,2} - min.	0.6 mm
s ₁	24 mm
Basic dynamic load rating - C	12.7 kN
Basic static load rating - C ₀	6.6 kN
Fatigue load limit - P _u	0.28 kN
Limiting speed with shaft tolerance h6	8500 r/min
Calculation factor - f ₀	13
Mass bearing	0.17 kg
Thread - G ₂ - 1/4-28 UNF	1/428 UNF
Hexagonal key size for grub screw - H	3.175 mm



SNR Bearing Argentina

Category	Insert Bearings Spherical OD
Inventory	0.0
Manufacturer Name	SKF
Minimum Buy Quantity	N/A
Weight / Kilogram	0.173
EAN	7316576616716
Product Group	M06110
Inner Race Profile	Narrow Inner Ring
Outer Race Profile	Spherical
Relubricatable	Yes
Seal Type	M Seal
Mounting Method	Eccentric Collar
Rolling Element	Ball Bearing
Snap Ring	No
Long Description	3/4" Bore; Narrow Inner Ring; Ball Bearing; 1.221" Length Thru Bore; 0.551" Outer Race Width; 1.85" Outside Diameter; Relubricatable; M Seal Seal; Eccentric Collar Mounting Method
Inch - Metric	Inch
Other Features	Single Row Standard Duty With Set Screw
Category	Insert Bearings
UNSPSC	31171536
Harmonized Tariff Code	8482.10.50.00
Noun	Bearing
Keyword String	Insert
Manufacturer URL	http://www.skf.com
Manufacturer Item Number	YET 204-012
Weight / LBS	0.375
Outside Diameter	1.85 Inch 46.99 Millimeter



SNR Bearing Argentina

Bore	0.75 Inch 19.05 Millimeter
Length Thru Bore	1.221 Inch 31.013 Millimeter
Outer Race Width	0.551 Inch 13.995 Millimeter
bore diameter:	0.7500 in
radial dynamic load capacity:	12.7 kN
outside diameter:	47 mm
radial static load capacity:	6.55 kN
outer ring width:	14 mm
bearing material:	Stainless Steel
inner ring width:	31 mm
finish/coating:	Zinc Plated
bore type:	Round
maximum rpm:	8500 RPM
locking device:	Eccentric Collar
series:	YET2
B_1	30.5 mm
d_1	28.2 mm
d_2	32.4 mm
B_4	4.75 mm
$r_{1,2}$ min.	0.6 mm
s_1	23.5 mm
Basic dynamic load rating C	12.7 kN
Basic static load rating C_0	6.55 kN
Fatigue load limit P_u	0.28 kN
Limiting speed ¹⁾	8500 r/min
Calculation factor f_0	13
Mass complete bearing	0.17 kg
Thread grub screw G_2	1/4-28 UNF
Hexagonal key size for grub screw N	3.175 mm



SNR Bearing Argentina

Recommended tightening torque for grub screw	4 N · m
---	---------