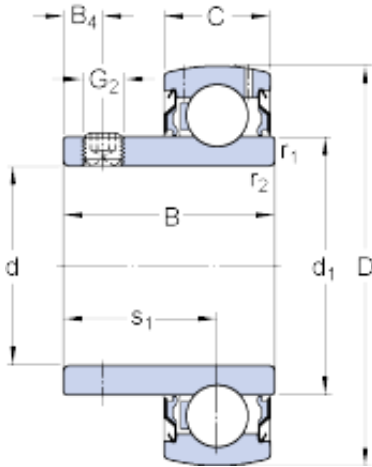




## SNR Bearing Argentina



22.225 mm x 52 mm x 27.2 mm skf YAT  
205-014 Insert bearings (Y-bearings)

Bearing No. YAT 205-014

YAT 205-014 Bearing 2D drawings and 3D CAD models

Size	52x22.225x27.2 mm
Bore Diameter	52 mm
Outer Diameter	22,225 mm
Width	27,2 mm
d	22.225 mm
D	52 mm
B	27.2 mm
C	15 mm
d <sub>1</sub>	33.74 mm
B <sub>4</sub>	5 mm
r <sub>1,2</sub> - min.	0.6 mm
s <sub>1</sub>	19.5 mm
Basic dynamic load rating - C	14 kN
Basic static load rating - C <sub>0</sub>	7.8 kN
Fatigue load limit - P <sub>u</sub>	0.335 kN
Limiting speed with shaft tolerance h6	7000 r/min
Calculation factor - f <sub>0</sub>	14
Mass bearing	0.17 kg
Thread - G <sub>2</sub> - 1/4-28 UNF	1/428 UNF
Hexagonal key size for grub screw - H	3.175 mm
Category	Insert Bearings Spherical OD
Inventory	0.0



## SNR Bearing Argentina

Manufacturer Name	SKF
Minimum Buy Quantity	N/A
Weight / Kilogram	0.17
Product Group	M06110
Inner Race Profile	Narrow Inner Ring
Outer Race Profile	Spherical
Relubricatable	Yes
Seal Type	M Seal
Mounting Method	Set Screw
Rolling Element	Ball Bearing
Snap Ring	No
Long Description	7/8" Bore; Narrow Inner Ring; Ball Bearing; 1.071" Length Thru Bore; 0.591" Outer Race Width; 2.047" Outside Diameter; Relubricatable; M Seal Seal; Set Screw Mounting Method
Inch - Metric	Inch
Other Features	Single Row   Standard Duty   Grub Screw
Category	Insert Bearings
UNSPSC	31171536
Harmonized Tariff Code	8482.10.50.00
Noun	Bearing
Keyword String	Insert
Manufacturer URL	<a href="http://www.skf.com">http://www.skf.com</a>
Manufacturer Item Number	YAT 205-014
Weight / LBS	0.375
Length Thru Bore	1.071 Inch   27.203 Millimeter
Outer Race Width	0.591 Inch   15.011 Millimeter
Bore	0.875 Inch   22.225 Millimeter



## SNR Bearing Argentina

Outside Diameter	2.047 Inch   51.994 Millimeter
$d_1$	33.74 mm
$B_4$	5 mm
$r_{1,2}$ min.	0.6 mm
$s_1$	19.5 mm
Basic dynamic load rating C	14 kN
Basic static load rating $C_0$	7.8 kN
Fatigue load limit $P_u$	0.335 kN
Limiting speed <sup>1)</sup>	7000 r/min
Calculation factor $f_0$	14
Mass complete bearing	0.19 kg
Thread grub screw $G_2$	1/4-28 UNF
Hexagonal key size for grub screw N	3.175 mm
Recommended tightening torque for grub screw	4 N · m