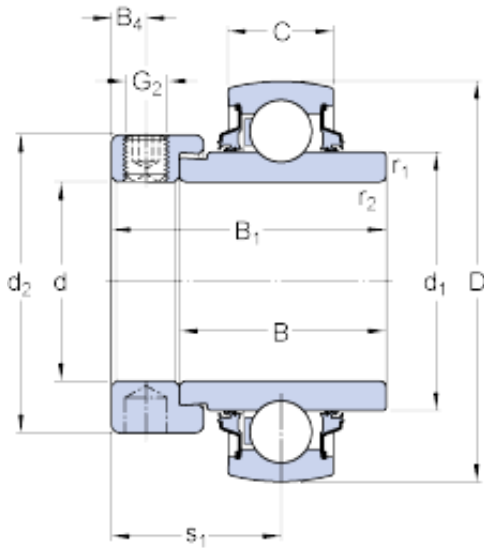




SNR Bearing Argentina



35 mm x 72 mm x 37.6 mm skf YELAG 207
Insert bearings (Y-bearings)

Bearing No. YELAG 207

| | |
|---|---------------|
| Size | 72x35x51.1 mm |
| Bore Diameter | 72 mm |
| Outer Diameter | 35 mm |
| Width | 51,1 mm |
| d | 35 mm |
| D | 72 mm |
| B ₁ | 51.1 mm |
| C | 19 mm |
| d ₁ | 46.1 mm |
| d ₂ | 51.1 mm |
| B | 37.6 mm |
| B ₄ | 6.75 mm |
| r _{1,2} - min. | 1 mm |
| s ₁ | 32.3 mm |
| Basic dynamic load rating - C | 25.5 kN |
| Basic static load rating - C ₀ | 15.3 kN |
| Fatigue load limit - P _u | 0.655 kN |
| Limiting speed with shaft tolerance h6 | 1100 r/min |
| Calculation factor - f ₀ | 14 |
| Mass bearing | 0.52 kg |
| Thread - G ₂ | M10x1 |
| Hexagonal key size for grub screw - H | 5 mm |

YELAG 207 Bearing 2D drawings and 3D CAD models



SNR Bearing Argentina

| Category | Bearings |
|--|------------|
| Inventory | 0.0 |
| Manufacturer Name | SKF |
| Minimum Buy Quantity | N/A |
| Weight / Kilogram | 0 |
| Product Group | M06110 |
| B_1 | 51.1 mm |
| d_1 | 46.1 mm |
| d_2 | 51.1 mm |
| B_4 | 6.75 mm |
| $r_{1,2}$ min. | 1 mm |
| s_1 | 32.3 mm |
| Basic dynamic load rating C | 25.5 kN |
| Basic static load rating C_0 | 15.3 kN |
| Fatigue load limit P_u | 0.655 kN |
| Limiting speed ¹⁾ | 1100 r/min |
| Calculation factor f_0 | 14 |
| Mass complete bearing | 0.53 kg |
| Thread grub screw G_2 | M10x1 |
| Hexagonal key size for grub screw N | 5 mm |
| Recommended tightening torque for grub screw | 16.5 N · m |