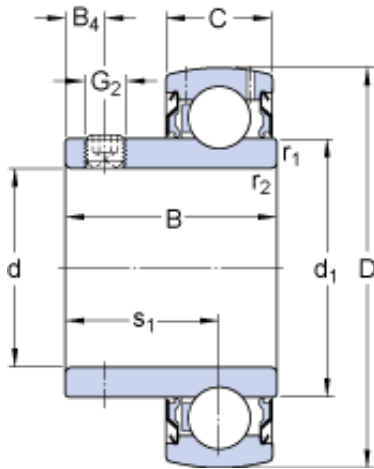




SNR Bearing Argentina



25.4 mm x 52 mm x 27.2 mm skf YAT 205-100
Insert bearings (Y-bearings)

Bearing No. YAT 205-100

Size	52x25.4x27.2 mm
Bore Diameter	52 mm
Outer Diameter	25,4 mm
Width	27,2 mm
d	25.4 mm
D	52 mm
B	27.2 mm
C	15 mm
d ₁	33.74 mm
B ₄	5 mm
r _{1,2} - min.	0.6 mm
s ₁	19.5 mm
Basic dynamic load rating - C	14 kN
Basic static load rating - C ₀	7.8 kN
Fatigue load limit - P _u	0.335 kN
Limiting speed with shaft tolerance h6	7000 r/min
Calculation factor - f ₀	14
Mass bearing	0.16 kg
Thread - G ₂ - 1/4-28 UNF	1/428 UNF
Hexagonal key size for grub screw - H	3.175 mm
Category	Insert Bearings Spherical OD
Inventory	0.0

YAT 205-100 Bearing 2D drawings and 3D CAD models



SNR Bearing Argentina

Manufacturer Name	SKF
Minimum Buy Quantity	N/A
Weight / Kilogram	0.14
Product Group	M06110
Inner Race Profile	Narrow Inner Ring
Outer Race Profile	Spherical
Relubricatable	Yes
Seal Type	M Seal
Mounting Method	Set Screw
Rolling Element	Ball Bearing
Snap Ring	No
Long Description	1" Bore; Narrow Inner Ring; Ball Bearing; 1.071" Length Thru Bore; 0.591" Outer Race Width; 2.047" Outside Diameter; Relubricatable; M Seal Seal; Set Screw Mounting Method
Inch - Metric	Inch
Other Features	Single Row Standard Duty Grub Screw
Category	Insert Bearings
UNSPSC	31171536
Harmonized Tariff Code	8482.10.50.00
Noun	Bearing
Keyword String	Insert
Manufacturer URL	http://www.skf.com
Manufacturer Item Number	YAT 205-100
Weight / LBS	0.309
Bore	1 Inch 25.4 Millimeter
Length Thru Bore	1.071 Inch 27.203 Millimeter
Outer Race Width	0.591 Inch 15.011 Millimeter
Outside Diameter	2.047 Inch 51.994



SNR Bearing Argentina

	Millimeter
bore diameter:	1.0000 in
locking device:	Set Screw
outside diameter:	52 mm
radial dynamic load capacity:	14 kN
outer ring width:	15 mm
radial static load capacity:	7.8 kN
inner ring width:	27.2 mm
finish/coating:	Uncoated
bore type:	Round
maximum rpm:	7000 RPM
d_1	33.74 mm
B_4	5 mm
$r_{1,2}$ min.	0.6 mm
s_1	19.5 mm
Basic dynamic load rating C	14 kN
Basic static load rating C_0	7.8 kN
Fatigue load limit P_u	0.335 kN
Limiting speed ¹⁾	7000 r/min
Calculation factor f_0	14
Mass complete bearing	0.16 kg
Thread grub screw G_2	1/4-28 UNF
Hexagonal key size for grub screw N	3.175 mm
Recommended tightening torque for grub screw	4 N · m