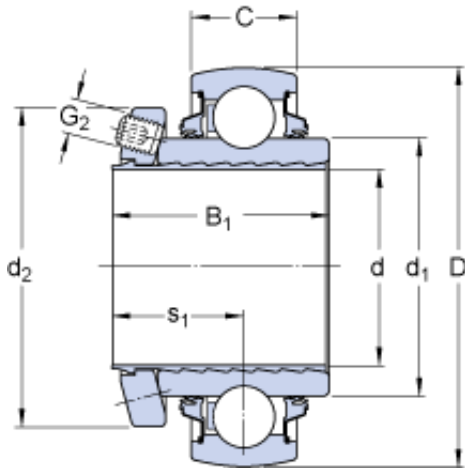




SNR Bearing Argentina



YSPAG 207-107 Bearing 2D drawings and 3D CAD models

skf YSPAG 207-107 Insert bearings (Y-bearings)

Bearing No. YSPAG 207-107

Size	72x36.512x39.5 mm
Bore Diameter	72 mm
Outer Diameter	36,512 mm
Width	39,5 mm
d	36.512 mm
D	72 mm
B ₁	39.5 mm
C	19 mm
d ₁	46.1 mm
d ₂	57 mm
s ₁	24.3 mm
Basic dynamic load rating - C	25.5 kN
Basic static load rating - C ₀	15.3 kN
Fatigue load limit - P _u	0.655 kN
Limiting speed	1100 r/min
Calculation factor - f ₀	14
Mass bearing	0.41 kg
Thread - G ₂	M6
Hexagonal key size for grub screw - H	3 mm
Recommended tightening torque for grub screw	7.4 N · m
B ₁	39.7 mm
d ₁	46.1 mm
d ₂	57 mm



SNR Bearing Argentina

s_1	24.5 mm
Basic dynamic load rating C	25.5 kN
Basic static load rating C_0	15.3 kN
Fatigue load limit P_u	0.655 kN
Limiting speed ¹⁾	1100 r/min
Calculation factor f_0	14
Mass complete bearing	0.42 kg
Thread grub screw G_2	M6
Hexagonal key size for grub screw N	3.05 mm